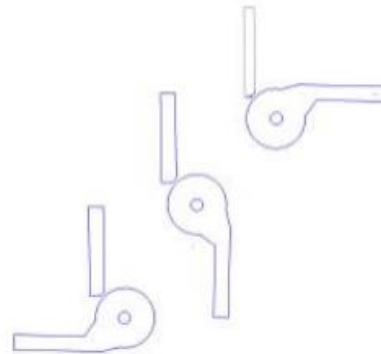
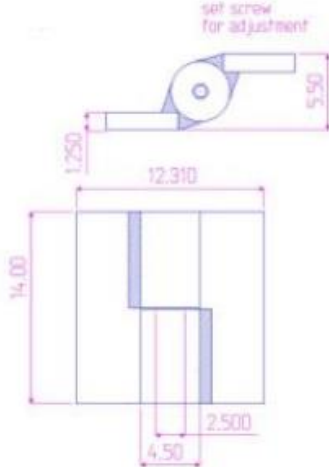


12" x 10 5/8" Heavy Duty Half Mortise Hinge

Model Number: 2200RH-316 Half
Mortise

Price: \$ 4400

- Application: Mortise
- Type: Right-Hand
- Material Type: 316L Stainless Steel
- Maximum Door Weight: 20,000 lbs.
- Maximum Radial Load: 8,800 lbs.
- Mount: Weld-On or Bolt-On
- Approximate Width: 10 5/8"
- Height: 12"
- Weight: 66 lbs.
- Bearing Type: Needle Bearings and a Thrust Bearing
- Finish: Plain
- Service: Heavy Duty



Kiesler Machine Inc

13700 Chrissy Lane NE
Palmyra, IN. 47164-8768

Contact Info :

info@kieslermachine.com
Toll-Free : 888-565-6610
Phone : 812-364-6610



Smoother Than The Rest
Guaranteed!

Data Provided For Reference Only.